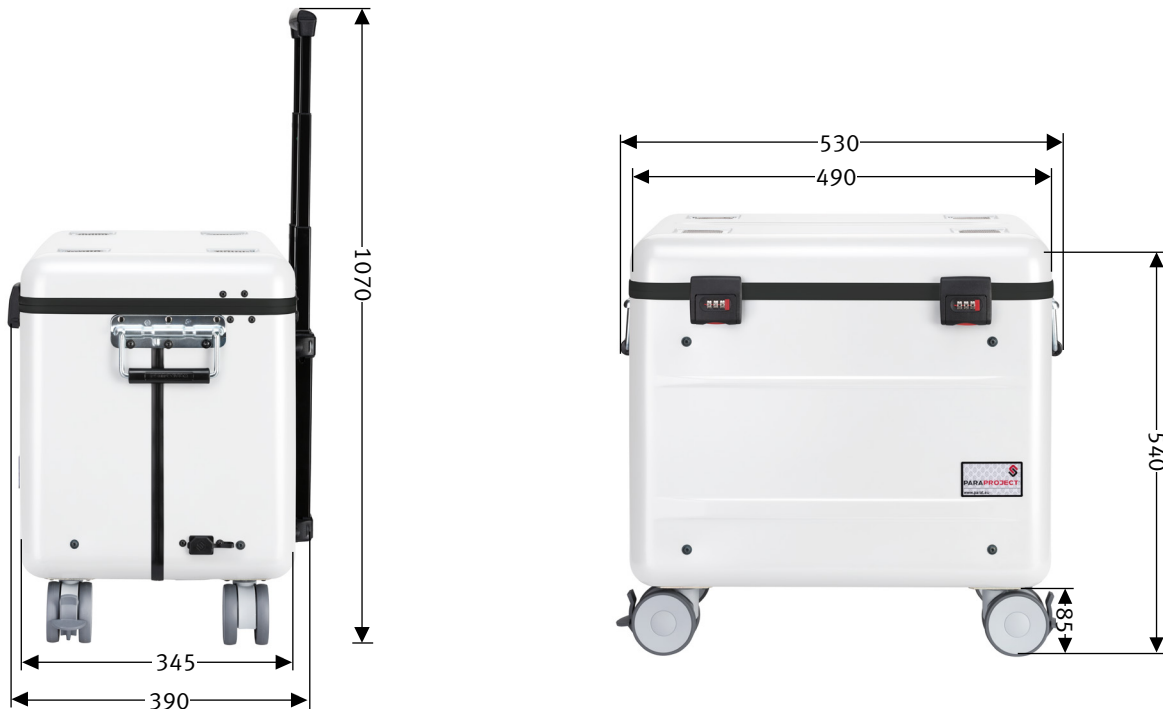


# PARAPROJECT® CASE i10

## CHARGE, SYNC, TRANSPORT & PROTECT



### dimensions in mm

description	PARAPROJECT® CASE i10 Charge and Sync for iPad; white
part number	EU Version:208.618-170
GTIN / EAN	4006793002357
field of application	education, health care and industry
certificates	CE / RoHS / REACH
applicable standards	DIN EN 60950-1 / DIN EN 55022 / DIN EN 55024
scope of delivery	<ul style="list-style-type: none"> <li>- 10x USB data and charging cable to Lightning connector</li> <li>- 1x device connection cable EU, length 5 m</li> <li>- 1x USB connection cable, length 3 m</li> <li>- 1x integrated week timer</li> <li>- 1x y-adapter with 1x IBM port (C5, 3-pin) and 1x Euro 8 socket (C7, 2-pin)</li> <li>- 1x y-adapter with 1x flat Euro socket (2-pin) and 1x Euro 8 socket (C7, 2-pin)</li> <li>- 1x instruction sheet for combination lock</li> <li>- 1x user manual</li> </ul>
materials	<ul style="list-style-type: none"> <li>- outer shell made from UV-proof ABS-PMMA plastic with a wall thickness of 3 mm, white</li> <li>- circumferential aluminum frame on lid and body</li> <li>- pockets made from „Con-Pearl®“ material</li> <li>- bottom tray of the case is fully lined with foam material</li> </ul>
transport	<ul style="list-style-type: none"> <li>- 4x smooth-running ball bearings (with 2 lockable castors)</li> <li>- telescopic handle, 4-fold</li> <li>- carrying handles on both sides</li> </ul>
external dimensions	without trolley handle: width 530 x depth 390 x height 540 mm with trolley handle extended: width 530 x depth 390 x height 1070 mm
empty weight	12.30 kg
shipping weight	14.85 kg
transport dimensions	width 560 x depth 410 x height 550 mm
number of euro-pallets	6
dimensions of euro-pallets	width 800 x depth 1200 height 1860 mm
customs tariff no.	42021250
country of origin	EU

# PARAPROJECT® CASE i10

## CHARGE, SYNC, TRANSPORT & PROTECT

equipment	<ul style="list-style-type: none"> <li>- case lid with various compartments and pockets</li> <li>- case body with sync and charging unit, storage space for 10 iPad devices, compartment for master laptop, compartment to store e.g. Access Point</li> <li>- additional vents in the lid and bottom tray for optimum air circulation</li> </ul>
compatible devices	all iPad devices from G4 and beyond as well as mini, except for Pro 12.9"
max. number of devices	10
operating system	iOS
cable types for equipment	USB data and charging cable to Lightning connector with LED display
power supply	central power supply unit provides power for all devices
output power per port	2.0 A / 10 W
locking system	combination lock
connections	<p>outside:</p> <ul style="list-style-type: none"> <li>- central power supply unit with protective cap</li> <li>- USB type B connector for sync function</li> <li>- network connector (RJ45) for Access Point</li> <li>- optional HDMI jack</li> </ul> <p>inside:</p> <ul style="list-style-type: none"> <li>- 10x USB type A connector for Flex2Connect</li> <li>- Y-adapter, C14 plug to 1x IBM port (C5, 3-pin) and 1x Euro 8 socket (C7, 2-pin, AUX1)</li> <li>- y-adapter, C14 plug to 1x flat Euro socket and 1x Euro 8 socket (C7, 2-pin, AUX2)</li> </ul>
data of currents	100-240V max. 3.6 A
dimensions of pockets	width 29 x depth 210 x height 260 mm
dimensions of notebook compartment	width 28 x depth 235 x height 320 mm
dimensions of other compartments	width 95 x depth 235 x height 320 mm

