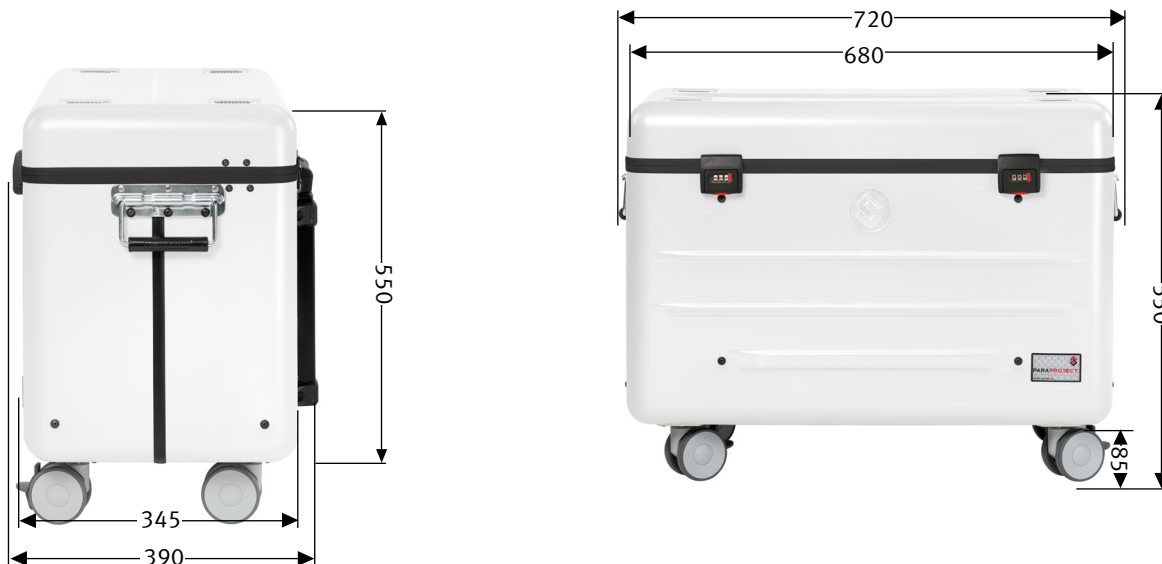


PARAPROJECT® CASE i16

CHARGE, SYNC, TRANSPORT & PROTECT



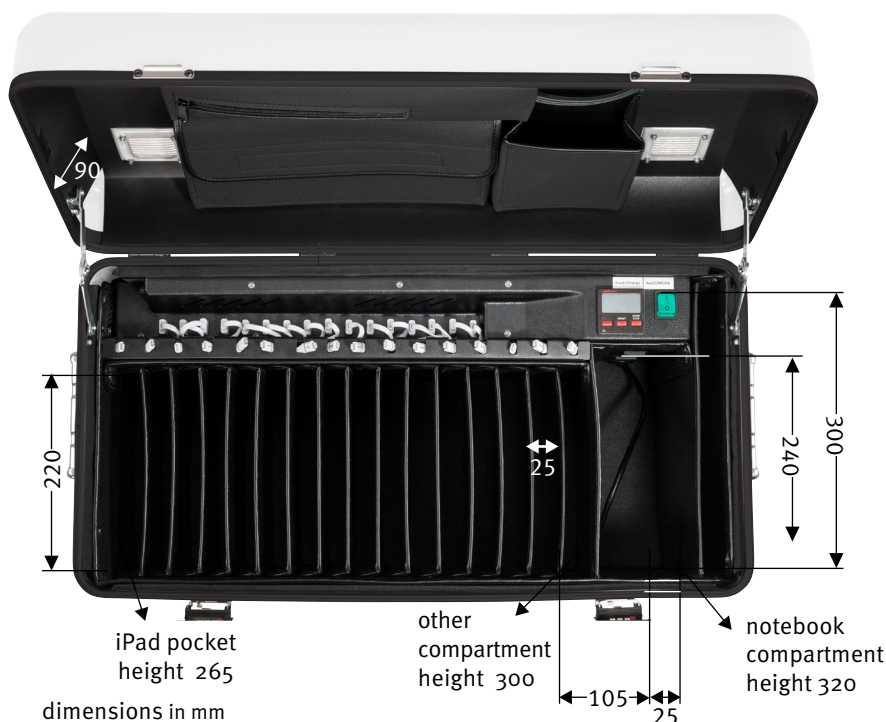
dimensions in mm

description	PARAPROJECT® CASE i16 for iPad; white
part number	EU version: 208.600-17001
GTIN / EAN	4006793002159
field of application	education, health care
certificates	CE / RoHS / REACH
applicable standards	DIN EN 60950-1 / DIN EN 55022 / DIN EN 55024
scope of delivery	<ul style="list-style-type: none"> - 16x USB data and charging cable to lightning connector with LED display - 1x device connection cable EU, length: 5 m - 1x USB connection cable, length: 3 m - 1x y-adaptor with 1x IBM socket (C5, 3-pin) and 1x Euro-8 socket (C7, 2-pin) - 1x y-adaptor with 1x Euro flat plug (2-pin) and 1x Euro-8 socket (C7, 2-pin) - 1x user guide for combination lock - 1x user manual
materials	<ul style="list-style-type: none"> - outer shell made from UV-proof ABS-PMMA plastic with a wall thickness of 3 mm, white - circumferential aluminum frame on lid and body - pockets made from „Con-Pearl®“ material - bottom tray of the case is fully lined with foam material
transport	<ul style="list-style-type: none"> - 4x smooth-running rolls (with 2 lockable castors) - telescopic handle, 4-fold - carrying handles on both sides
external dimensions	width 720 x depth 390 x height 550 mm
empty weight	16.25 kg
shipping weight	18.75 kg
transport dimensions	width 760 x depth 420 x height 570 mm
number of euro-pallets	6
dimensions of euro-pallet	width 1,200 x depth 800 x height 1,860 mm
customs tariff no.	42021250
country of origin	EU

PARAPROJECT® CASE i16

CHARGE, SYNC, TRANSPORT & PROTECT

equipment	<ul style="list-style-type: none"> - case lid: with diverse compartments and pockets - body: sync and charging unit, 16 pockets for iPad, storage compartment for master laptop and pockets for accessories such as access point, router and/or Apple TV - additionally: air vents in the lid and bottom tray ensure optimum air circulation - built-in programmable charging timer - temperature sensor (overheating protection)
compatible devices	all iPad 4G and beyond as well as all iPad Mini
max. number of devices	16
operating system	iOS
cable types for equipment	USB data and charging cable to lightning connector with LED display
power supply	central power unit for the entire power supply of devices
output power per port	2.4 A
locking system	combination lock
connections	<p>outside:</p> <ul style="list-style-type: none"> - central power supply with protective cap - USB-B terminal for sync - network connector (RJ45) for access point - optional HDMI port <p>inside:</p> <ul style="list-style-type: none"> - 16x USB-A terminal for Flex2Connect - y-adaptor, C14 plug to 1 x IBM port (C5, 3-pin) and 1 x Euro-8 socket (C7, 2-pin, AUX 1) - y-adaptor, C14 plug to 1 x Euro flat plug and 1 x Euro-8 socket (C7, 2-pin, AUX 2)
data of currents	<ul style="list-style-type: none"> - 100 - 240 V - max. 3.6 A - 50/60 Hz
dimensions of pockets	width 25 x depth 220 x height 265 mm
dimensions of notebook compartment	width 25 x depth 300 x height 320 mm
dimensions of other compartments	width 105 x depth 240x height 300 mm



- sync and Charging unit (Switch On / Off)
- built-in programmable charging timer



- central power supply with protective cap
- USB-B terminal for sync
- network connector (RJ45) for access point
- optional HDMI port